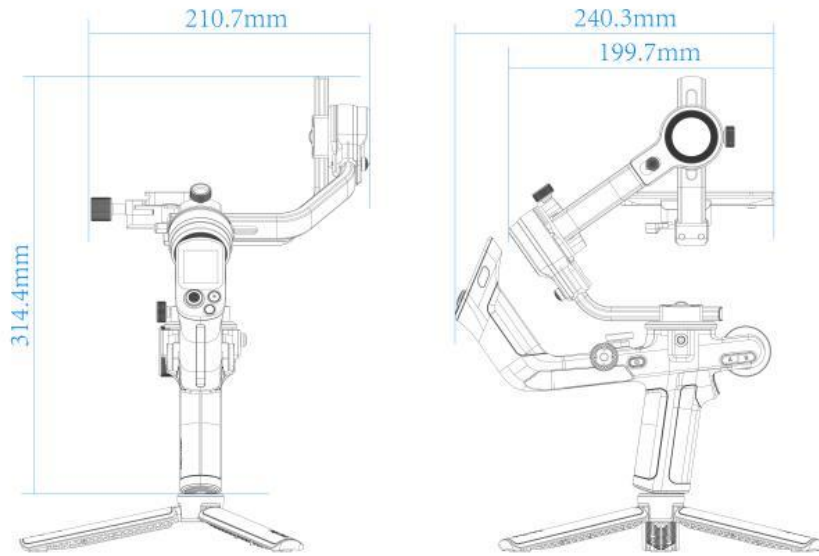
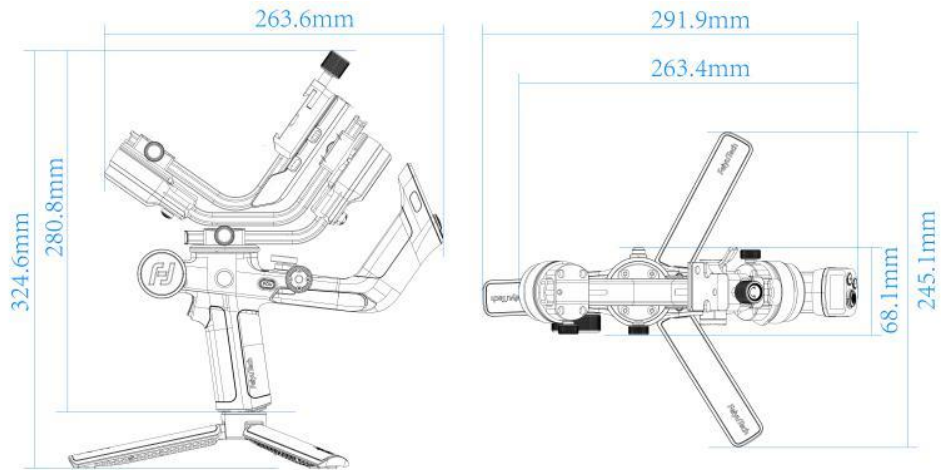


# Feiyu SCORP Specs

<b>Product Name</b>	Feiyu SCORP 3-Axis Camera Handheld Stabilizer
<b>Battery Capacity</b>	2500mAh, built-in battery cannot be removed, charge it via the USB-C port which below the multifunction knob, support all the normal charger and quick charger which charging power $\leq 18W$
<b>Operating Voltage</b>	6.8V-8.4V
<b>Theoretical Battery Life</b>	13h
<b>Charging Time</b>	About 1.6h (Using 18W fast charger)
<b>Materials In Main Body</b>	Synthetic macromolecular resin, aluminum alloy
<b>Weight</b>	About 1200g/2.65 lb (including quick release plate, not included other accessories and camera)
<b>Payload</b>	About 2.5kg/5.51 lb (well balanced)
<b>Water-Proof Grade</b>	Not Water-proof
<b>Dimensions</b>	314.4*210.7*240.3mm (Gimbal balancing position)



280.8\*263.6\*68.1mm (Gimbal folded position)



**Compatible  
Cameras**

Sony, Canon, Nikon, Panasonic camera etc (Check Camera Compatibility Lists for more details)

**Operating  
Temperature**






-10~45°C

**Rotatable  
Range**

Tilt: 340° (With limitation)  
Roll: 340° (With limitation)  
Pan: 360° (Unlimited)

**Controllable  
Range**

Tilt: +110° ~-45°  
Roll: +20° ~-20°  
Pan: 360° (Unlimited)

<b>Quick Release Plate</b>	<p>Quick release plate (115x38x10mm) and optional camera backing base (50x38x10mm) are compatible with ARCA quick release system.</p> <p>Can be removed from the gimbal together with the camera, and fast switch between popular quick release systems without re-assembling the camera.</p>
<b>Follow Mode</b>	<p> <b>PF:</b> Pan follow, only the pan axis follows the movement of user's hand</p> <p> <b>PTF:</b> Pan and tilt follow, where both the pan and tilt axes follow the movement of user's hand, but roll axis does not</p> <p> <b>FPV:</b> Pan, tilt and roll follow, where all 3 axes follow the movement of user's hand</p> <p> <b>Lock:</b> All 3 axes do not follow the movement of user's hand, gimbal keeps the direction of the camera fixed</p> <p> <b>FFW:</b> flash follow, pan, where all 3 axes follow the movement of user's hand in high follow speed</p>
<b>APP</b>	<p>Feiyu SCORP</p>
<b>How To Control The Camera</b>	<p>While connecting gimbal and cameras with cable (standard accessories for SONY, CANON, NIKON, Panasonic), users can control picture-taking/recording with shutter button and set aperture, shutter, ISO and other camera parameters (see Camera Compatibility List for more).</p>
<b>Motor Power Auto Tune</b>	<p>Auto Tune motor power is available to the App or Touch Screen. Gimbal auto tune the motor power according to the camera you install.</p> <p>Auto Tune operation: Enter the motor power setting through touch screen, and tap Auto Tune, then put gimbal on the table until the display prompt calibration complete.</p> <p>Gimbal will vibrate slightly while Auto Tune to weigh the camera, it's a normal phenomenon.</p>
<b>Extended Ports</b>	<p><b>At the bottom of the handle:</b> 1/4 inch thread hole*1, which can mount Tripod;</p> <p><b>Below the multifunction knob:</b> Type-C charging port*1;</p> <p><b>In front of fixed plate:</b> Type-C extension port*2 to connect focus motors;</p> <p><b>At the back of fixed plate:</b> Type-C camera control port*1, Type-C image transmission port*1;</p>

	<p><b>In front of quick release plate:</b> 1/4 inch thread hole*1, for installation of lens holder;</p> <p><b>On the top of vertical cross arm:</b> 1/4 inch thread hole*1, for installation of ARRI rosettes adaptor;</p>
<p><b>Standard Accessories</b></p>	<p>Feiyu SCORP*1</p> <p>Data cable USB 2.0 to Type-C*1</p> <p>Shutter cable Type-C to Micro (A03)*1</p> <p>Shutter cable Type-C to Type-C (C02)*1</p> <p>Shutter cable Type-C to TRS2.5 (T02)*1</p> <p>Sony shutter cable Type-C to Multi*1</p> <p>Panasonic shutter cable (DC2.5mm) Type-C to 2.5mm*1</p> <p>Tripod*1</p> <p>Quick release plate*1</p> <p>Camera backing base*1</p> <p>Lens holder*1</p> <p>Lens holder screw*1</p> <p>Camera fixed screw*3</p> <p>Storage bag*1</p>
<p><b>Optional Accessories</b></p>	<p>Monopod (Pay attention to its max payload);</p> <p>Carbon Fiber Extension Rod;</p> <p>Feiyu SCORP Focus Motor;</p> <p>ARRI rosettes adaptor;</p> <p>Portrait/landscape dual-use quick release plate;</p> <p>Feiyu SCORP Image Transmission Transmitter;</p> <p>wireless microphone kit: wireless microphone ( transmitter terminal )*1, wireless microphone (receiving terminal)*1, wireless clip-on microphone *1;</p> <p>Body-mounted Weight Support for installing flash lamp/ soft light/ Microphone and other devices via cold shoes;</p>
<p><b>Available Functions</b></p>	<p>1. Change follow modes via touch screen/buttons, directly show the state of camera connection, Bluetooth, control object , battery at the display without APP.</p> <p>2. One tap to enter Auto rotation mode (Inception mode), long exposure timelapse,</p>

<p><b>For Users</b></p>	<p>VLOG Selfie and portrait shooting for TikTok, and more special shooting way.</p> <p>3. Manually set up the rotation speed, picture interval, long exposure time and the movement route in auto-rotation mode for long exposure timelapse.</p> <p>4. Switch between portrait and landscape mode.</p> <p>5. Control picture-taking/recording with shutter button and set aperture, shutter, ISO and other camera parameters (see Camera Compatibility List for more).</p> <p>6. Customize the some button functions, motor power, follow speed, dead zone, language, etc.</p> <p>7. Initialize the gimbal when it is not level.</p> <p>8. Manually set up the shooting angle on tilt axis and pan axis by hand.</p> <p>9. Upgrade the firmware , set up the parameter, remote control on APP.</p>
<p><b>Main Features</b></p>	<p>Max payload updates to 2.5 kg, easily work with popular mirrorless cameras.</p> <p>3 Axis motor-lock design to get a convenient balance and storage.</p> <p>Integrated hanging handle which can switch among different angle to use in more different shooting scenes.</p> <p>Touch screen operation without APP to directly set up parameters and change follow mode.</p> <p>Center of gravity memory slider make balancing easier.</p> <p>No tripod required, the gimbal comes with a folding aileron bracket.</p> <p>The magic wheel which can custom operating feel and damping shows more possibilities.</p> <p>A-B point Trajectory memory, one button to achieve movements your set or automatic focus.</p> <p>Just touch one icon and you will directly enter Inception mode/ Long exposure timelapse/ VLOG selfie/ TikTok portrait shoot and got more popular shooting ways.</p> <p>Type-C quick charging port for gimbal, takes only 1.6 hour to fully charge it.</p> <p>Dual available USB ports for external focus motor/Zoom in&amp;out set (not at the same time).</p> <p>Customize the some button functions, motor power, follow speed, dead zone, language, etc to fit for different usage</p> <p>Auto tune motor power and customize motor power to be chose to work with more</p>

cameras and lens.

Optional wireless microphone kit for better sound recording, make your VLOG /  
TikTok video come with sound more easily.